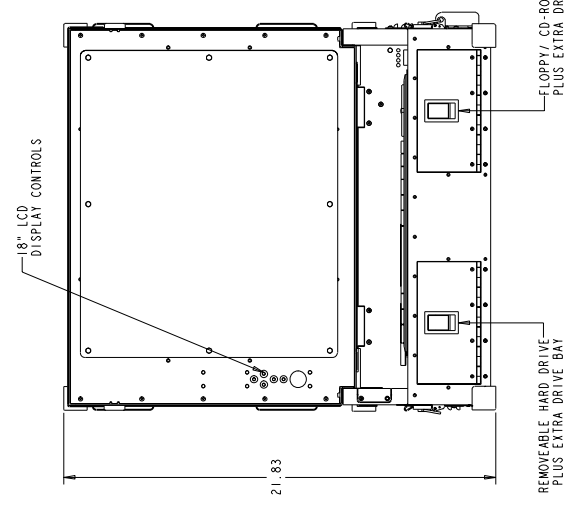
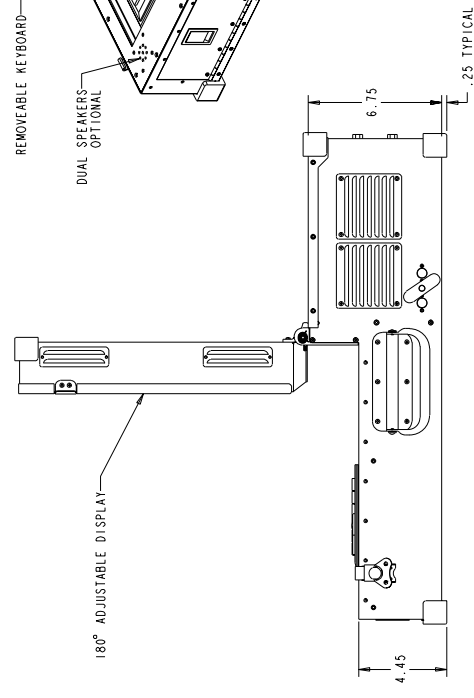
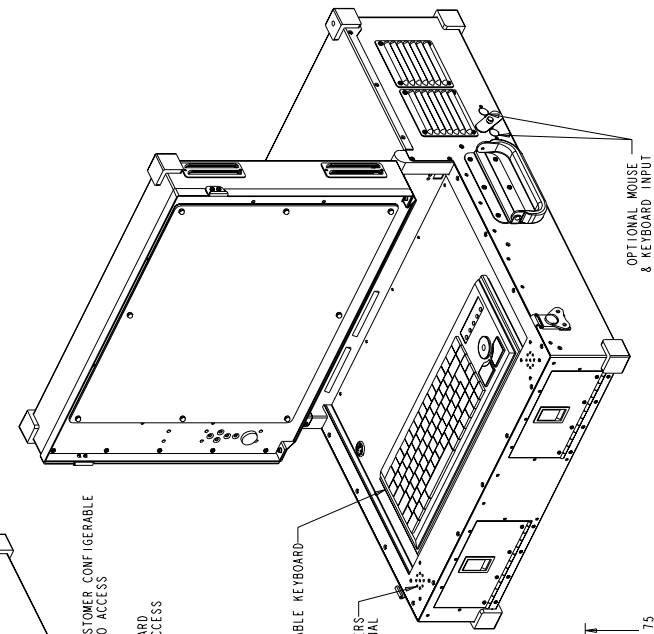
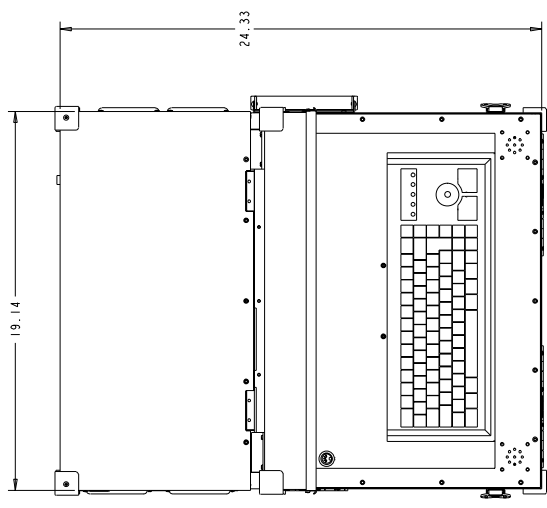
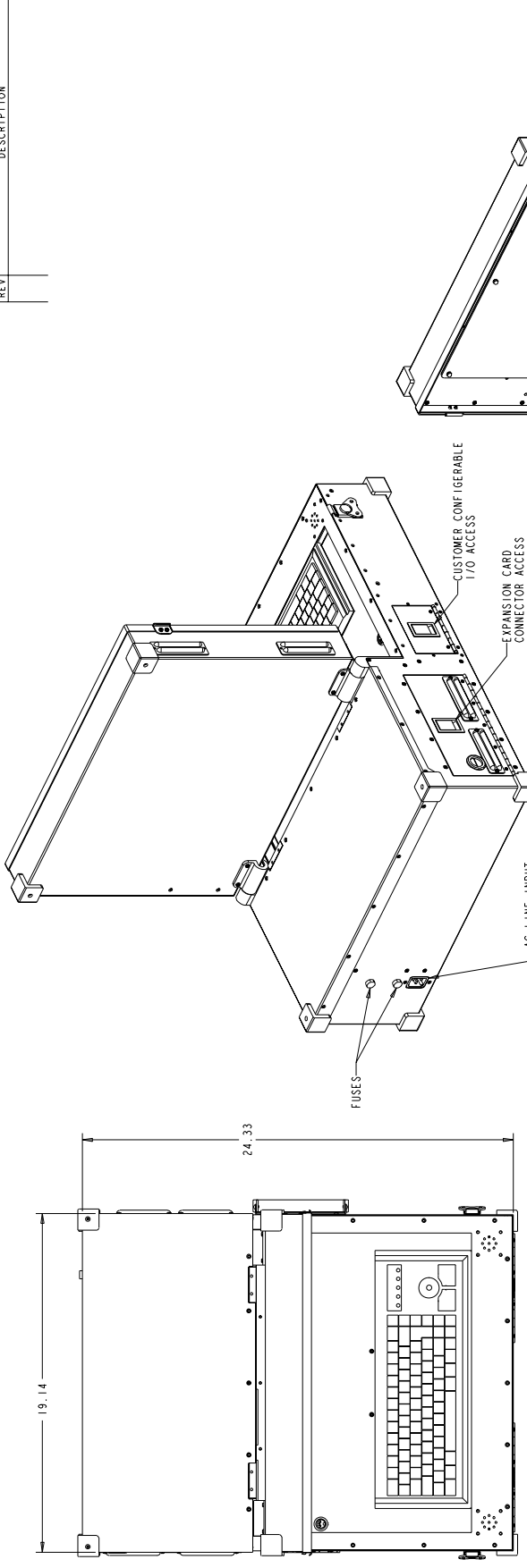


PART NUMBER CD-149	REV	DESCRIPTION	DATE



Professional drawing... not to be manually altered.

THIS DOCUMENT CONTAINS PROPRIETARY INFORMATION AND MAY NOT BE DISCLOSED TO OTHERS OR USED FOR REPRODUCTION WITHOUT PERMISSION FROM IBI SYSTEMS, INC.	TOLERANCES UNLESS SPECIFIED: DIMENSIONS: .010 ANGLES: .5°	IBI SYSTEMS, INC. 444 N. 47TH AVENUE DENVER, CO 80219
DATE: 1/19/01	DRAWN BY: J. J. JONES	SCALE: 1/3
PROJECT: ST2010-18 PORTABLE	MATERIAL: ALUMINUM ALLOY CONSTRUCTION	SHEET NUMBER: CD-149
FINISH: TEXTURED POLYURETHANE	PERMISSION FROM: IBI SYSTEMS, INC.	SHEET OF: 1/3